

90 DEGREE MOUNTING BRACKET FOR KEYSECURE® 5 & 6



FEATURES

- ✓ Solid steel plate construction
- ✓ Black industrial powder coating
- ✓ 90° angle
- ✓ Meets NFPA 1901-2016 for Vehicle Mounting Systems

MOUNTING BRACKET TO VEHICLE SURFACE

Use a minimum of four (4) 5/16"-18 Grade 5 mounting fasteners (screen/carriage bolts, etc.) to bolt the bracket plate the vehicle's surface. Drill holes in the surface and align bracket. Insert fasteners through the bracket plate and surface. Secure with 5/16" -18 nuts and Loctite.

MOUNTING DEVICE TO BRACKET PLATE

Use at least three (3) 1/4"-20 Grade 8 mounting fasteners (provided with the bracket) to bolt the back plate of the unit onto the support bracket (maximum head height of fasteners: 0.188"). **Do not place washers under hardware inside back plate.** Align bracket and back plate then insert fasteners from the back plate into the support bracket and tighten to snug. Then hook the unit onto the back plate and insert both provided #10-32 x 2" length socket cap screws and tighten to snug. Insert the Tech Lock and stud into the unit and tighten to snug. Replace the Tech Lock cover and fasten with provided Torx screws.

ORDERING SPECIFICATIONS

To ensure procurement and delivery of the Knox Mounting Bracket, Knox suggests using the following specification paragraph:

Knox Mounting Bracket constructed of 5/16" solid steel plate with a 90° angle:

Dimensions: 6-5/16" H x 4-1/2" W x 5-13/64" D

Mounting Bracket: UL Classified Equipment Mounting System NFPA 1901-2016

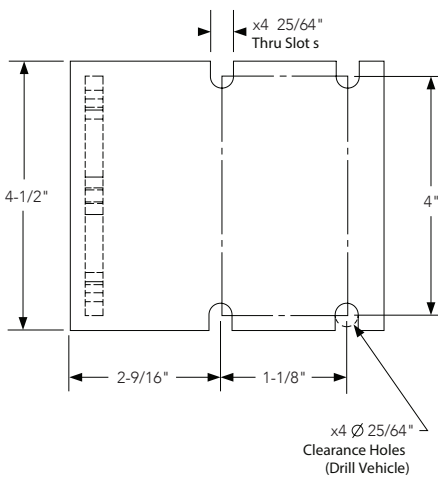
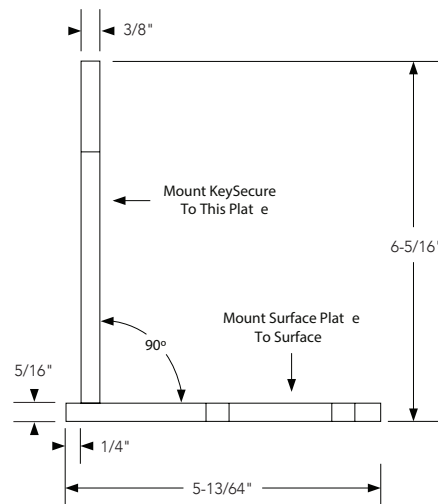
Weight: 4 lbs.

Finish: Black Industrial powder coating

Color: Black

P/N: KLS-MB-90

Mfr's Name: KNOX COMPANY



90° Bracket Mounting Holes

KNOX RAPID ACCESS SYSTEM

The Knox Company manufactures a complete line of high-security products including key boxes, key vaults, cabinets, key switches, padlocks, locking FDC plugs, master key retention devices and more.

For additional information or technical assistance, call Customer Service at 1-800-552-5669.

60 DEGREE MOUNTING BRACKET FOR KEYSECURE® 5 & 6



FEATURES

- ✓ Solid steel plate construction
- ✓ Black industrial powder coating
- ✓ 60° angle
- ✓ Meets NFPA 1901-2016 for Vehicle Mounting Systems

MOUNTING BRACKET TO VEHICLE SURFACE

Use at least four (4) 5/16"-18 Grade 5 mounting fasteners (screen/carriage bolts, etc.) to bolt the bracket plate to a surface. Drill holes in the surface and align bracket. Insert fasteners through the bracket plate and surface, then secure with 5/16"-18 nuts and Loctite.

MOUNTING DEVICE TO BRACKET PLATE

Use at least three (3) 1/4"-20 Grade 8 mounting fasteners (provided with the bracket) to bolt the back plate of the unit onto the support bracket (maximum head height of fasteners: 0.188"). **Do not place washers under hardware inside back plate.** Align bracket and back plate then insert fasteners from the back plate into the support bracket and tighten to snug. Then hook the unit onto the back plate and insert both provide #10-32 x 2" length socket cap screws and tighten to snug. Insert the Tech Lock and stud into the unit and tighten to snug. Replace the Tech Lock cover and fasten with provided Torx screws.

ORDERING SPECIFICATIONS

To ensure procurement and delivery of the Knox Mounting Bracket, Knox suggests using the following specification paragraph:

Knox Mounting Bracket constructed of 5/16" solid steel plate with a 60° angle:

Dimensions: 5-11/16" H x 4-1/2" W x 5-13/64" D

Mounting Bracket: UL Classified Equipment Mounting System NFPA 1901-2016

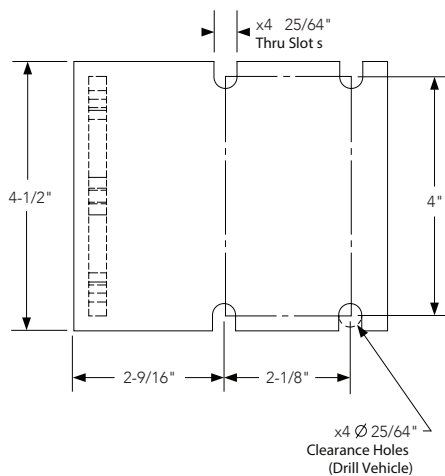
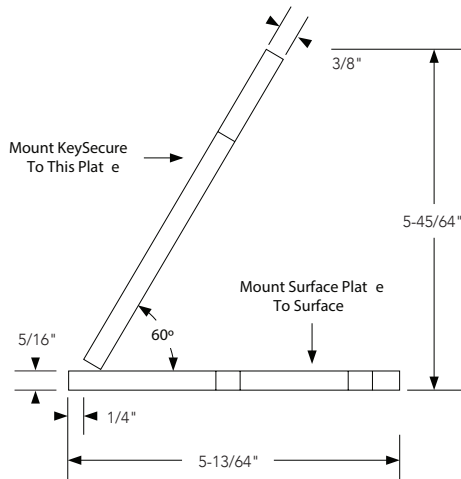
Weight: 4 lbs.

Finish: Black Industrial powder coating

Color: Black

P/N: KLS-MB-60

Mfr's Name: KNOX COMPANY



60° Bracket Mounting Holes

KNOX RAPID ACCESS SYSTEM

The Knox Company manufactures a complete line of high-security products including key boxes, key vaults, cabinets, key switches, padlocks, locking FDC plugs, master key retention devices and more.

For additional information or technical assistance, call Customer Service at 1-800-552-5669.